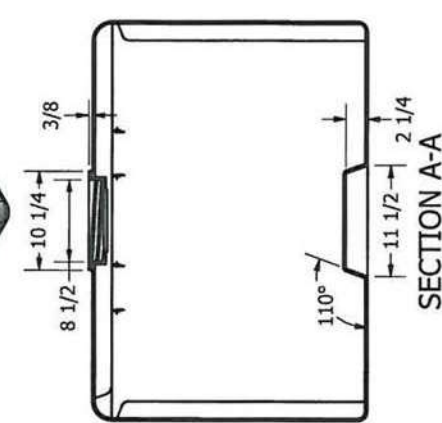
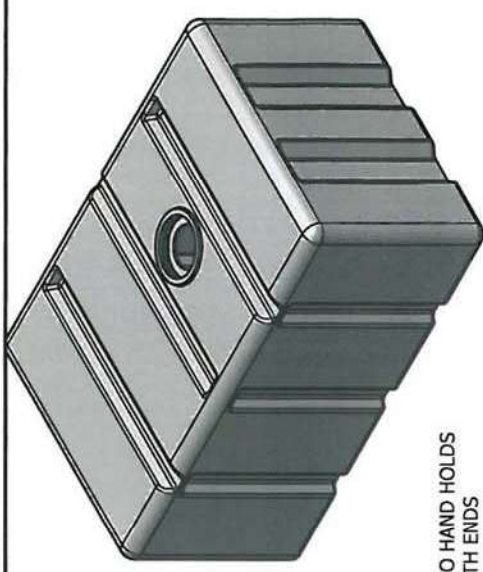
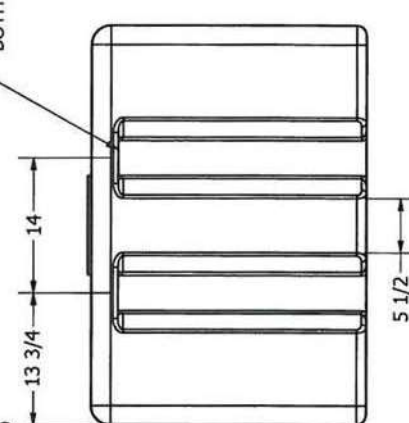


TWO HAND HOLDS
BOTH ENDS



DRAWN	7/10/2014	TITLE	
Liv Oitean		1130L / 250 IMP. / 300 USG	
CHECKED		Flat Bottom Utility Tank	
QA		SIZE	DWG NO
MFG		B	44332
APPROVED		SCALE: 1/16	SHEET 1 OF 1
		REV	A

